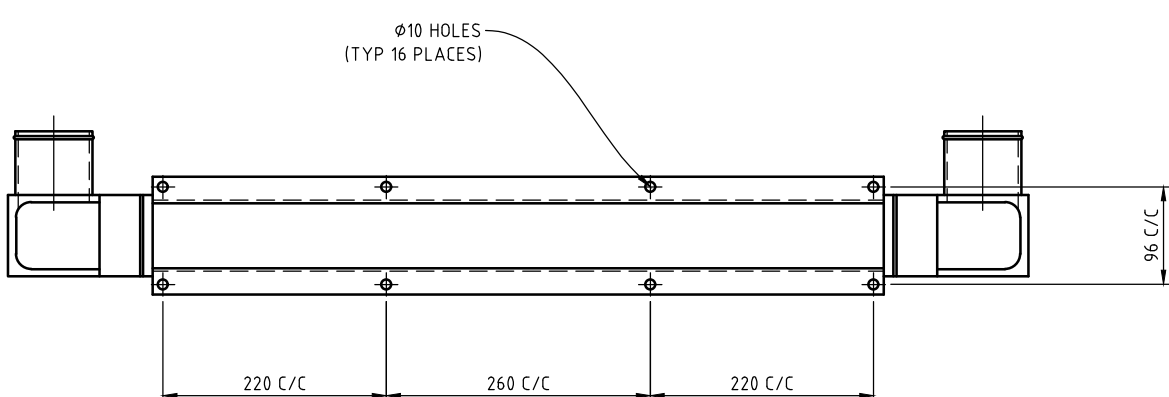


φ76 O.D. INLET & OUTLET



φ10 HOLES
(TYP 16 PLACES)

NOTES:

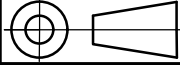
1. ALL DIMENSIONS IN mm UNLESS OTHERWISE NOTED.
2. OPERATING / TEST PRESSURE:- 4 BAR / 6 BAR.

5				
4				
3				
2				
1				
No	DESCRIPTION	BY	CHD	DATE
REVISIONS				

THIS DOCUMENT IS THE PROPERTY OF GHT - AUSTRALIA P/L. NO EXPLOITATION OR TRANSFER OF ANY INFORMATION CONTAINED HEREIN IS PERMITTED WITHOUT THE WRITTEN CONSENT OF GHT - AUSTRALIA P/L.



GLOBAL HEAT TRANSFER AUSTRALIA P/L



MATERIAL:
ALUMINIUM

DRAWN: W.Y.W.
DATE: 7-4-2017
CHECKED:

TITLE: CUMMINS 200 kVA GENSET CHARGE AIR COOLER ARRANGEMENT			
SCALE 1:5.5	SIZE A3	DWG No AC/60/100542880	REV 0