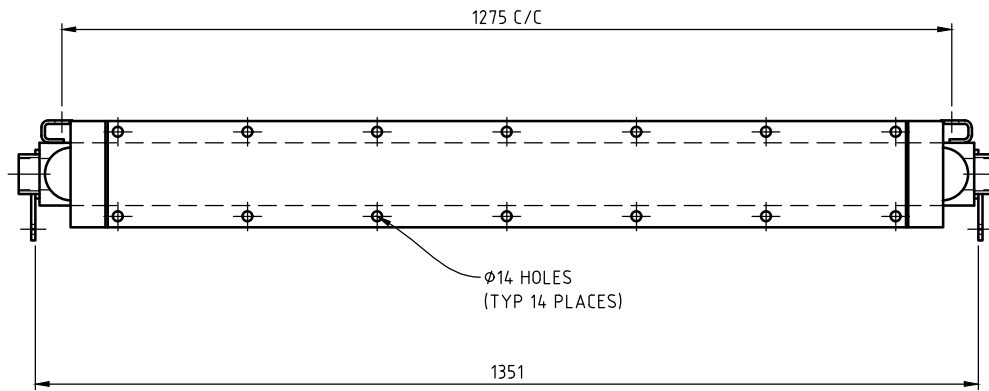
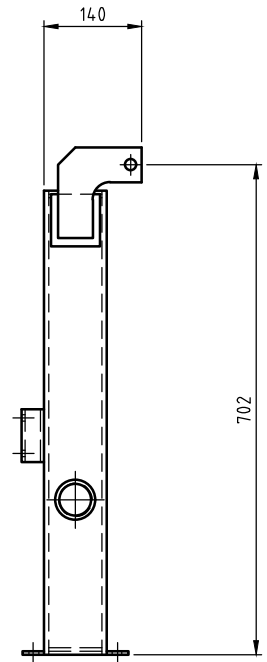


SLOTS:- 9 WIDE x 20 LG
(TYP 4 PLACES).



NOTES!

1. ALL DIMENSIONS IN mm UNLESS OTHERWISE NOTED.
2. OPERATING / TEST PRESSURE:- 24 BAR / 35 BAR.

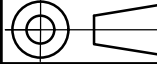
WAS GHT P/No:- A020-001-1

| 5 | | | | |
|-----------|-------------|----|-----|------|
| 4 | | | | |
| 3 | | | | |
| 2 | | | | |
| 1 | | | | |
| No | DESCRIPTION | BY | CHD | DATE |
| REVISIONS | | | | |

THIS DOCUMENT IS THE PROPERTY OF GHT - AUSTRALIA P/L. NO EXPLOITATION OR TRANSFER OF ANY INFORMATION CONTAINED HEREIN IS PERMITTED WITHOUT THE WRITTEN CONSENT OF GHT - AUSTRALIA P/L.



GLOBAL HEAT TRANSFER AUSTRALIA P/L



MATERIAL:
ALUMINIUM

| |
|-----------------|
| DRAWN: W.Y.W. |
| DATE: 29-9-2016 |
| CHECKED: |
| |
| |
| |

| | | | |
|--|------|-----------------|-----|
| TITLE: | | | |
| SULLAIR COMPRESSOR OIL COOLER (1339 x 665 x 90) CAT C9 ENG ARRANGEMENT | | | |
| SCALE | SIZE | DWG No | REV |
| 1:8 | A3 | A0/43/133966590 | 1 |